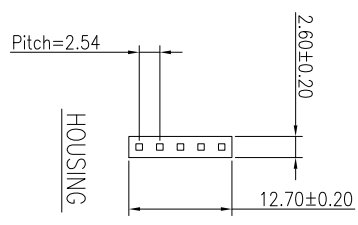
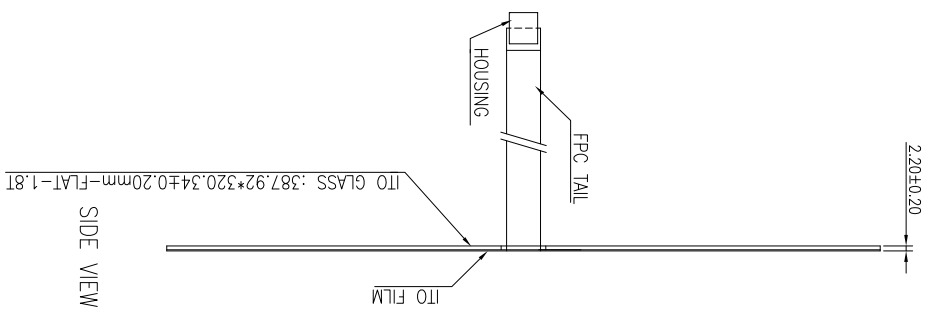
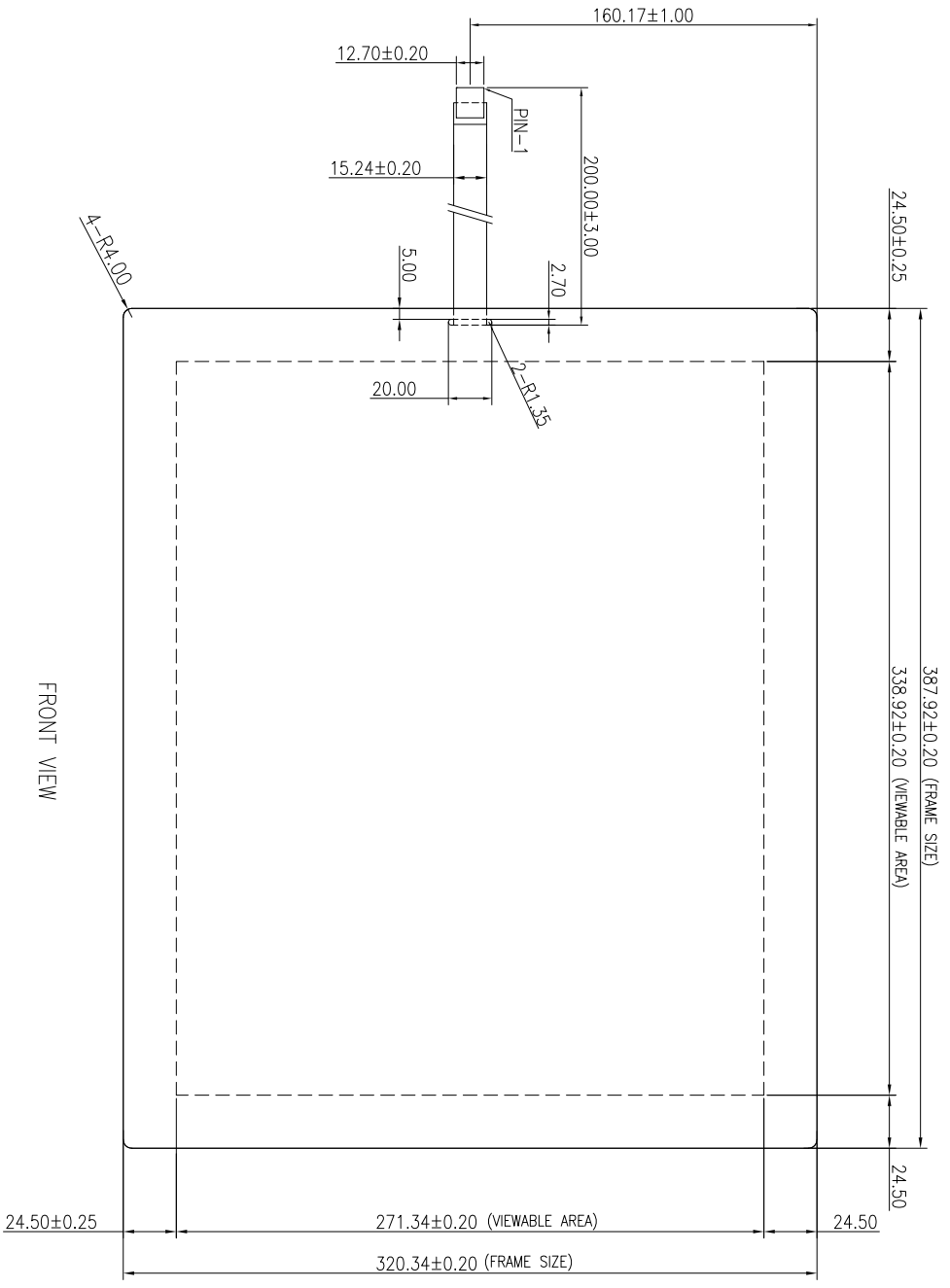
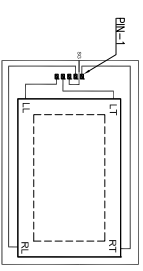


Rev.	Date	Description
A	2017.04.20	First Release



PIN NO.	DESIGNATION
1	RT
2	RL
3	SG
4	LT
5	LL



AbonTouch Abon Touch Systems Inc.		MODEL	A-15170-1455
APPROVED	<i>P. J. Marang</i>	DATE	2017.04.20
CHECK	<i>Slavia</i>	DATE	2017.04.20
DESIGN	<i>Steve</i>	DATE	2017.04.20
SHEET 1/1	UNIT: mm	REV.	A
		PART NO.	AB-1517014551218112001
		DESCRIPTION	