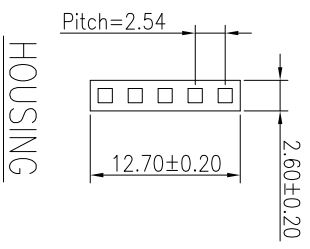
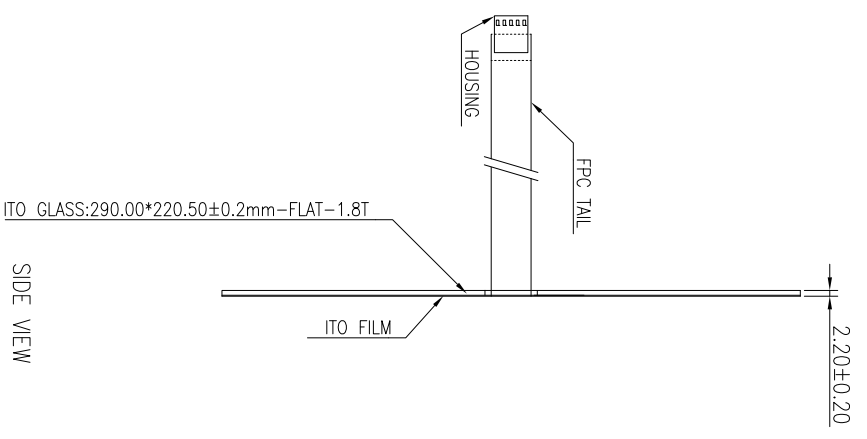
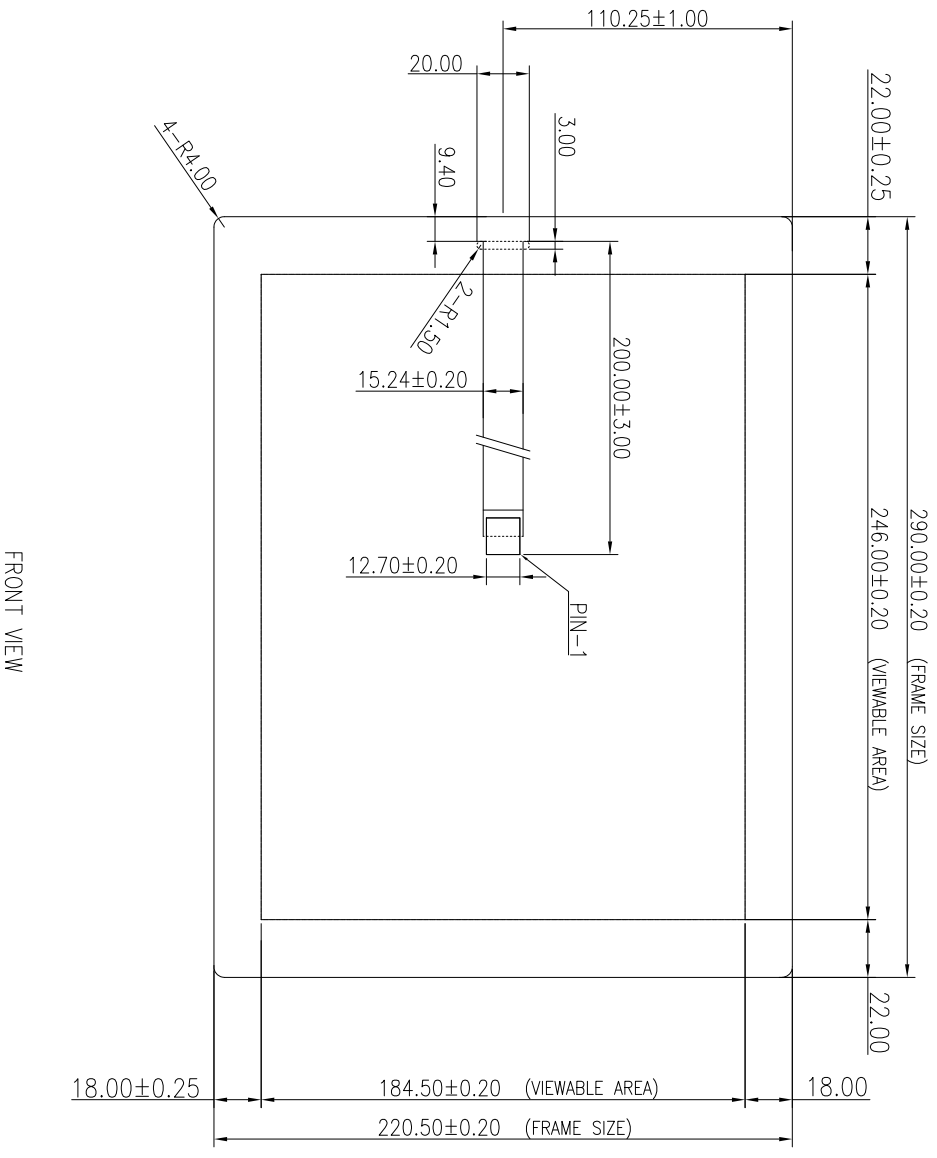
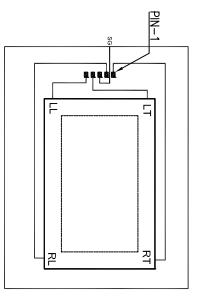


Rev.	Date	Description
A	2017.04.20	First Release



PIN NO.	DESIGNATION
1	RT
2	RL
3	SG
4	LT
5	LL



AbonTouch		MODEL	A-15121-1657
APPROVED	DATE	PART NO.	DESCRIPTION
<i>gigawang</i>	2017.04.20		
CHECK	DATE		AB-1512116571218112001
<i>gloria</i>	2017.04.20		
DESIGN	DATE		
<i>Stevie</i>	2017.04.20		
SHEET 1/1	UNIT: mm	REV. A	